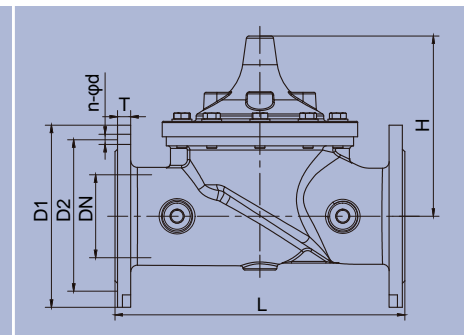
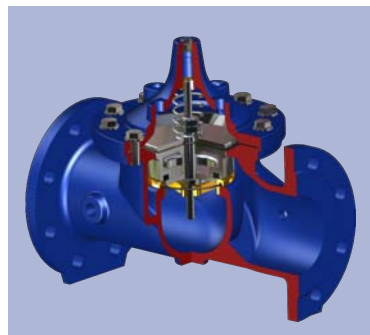


Features and Benefits:

- Automatic control valve, running by itself.
- One complete combined disc, easy for maintenance.
- Diaphragm type; quick response against pressure change.
- Big inner chamber, avoid noise by cavitations and reduce static pressure.
- Inlet pressure balancing function, fluctuating inlet pressure doesn't influence outlet pressure.
- Stainless steel and bronze parts, corrosion resistant.
- Reinforced Nylon + EPDM diaphragm has long lift cycle.



Pressure Reducing Valve - A200

No	Size	DN	D1	D2	T	n-φd	L	H	Weight (kg)	Europe Code	Other Code
28141270004	2"	50	165	125	19	4-19	230	152	14.0	P0050CFDMN01SE	P0050CFDMN01SO
28141280006	2 1/2"	65	185	145	19	4-19	290	172	18.0	P0065CFDMN01SE	P0065CFDMN01SO
28141280007	3"	80	200	160	19	8-19	310	182	21.5	P0080CFDMN01SE	P0080CFDMN01SO
28141280008	4"	100	220	180	19	8-19	350	218	32.0	P0100CFDMN01SE	P0100CFDMN01SO
28141290004	5"	125	250	210	19	8-19	400	240	42.0	P0125CFDMN01SE	P0125CFDMN01SO
28141290005	6"	150	285	240	19	8-23	480	275	58.0	P0150CFDMN01SE	P0150CFDMN01SO
28141290007	8"	200	340	295	20	12-23	600	329	103.0	P0200CFDMN01SE	P0200CFDMN01SO
28141293002	10"	250	405	355	22	12-28	622	418	252.0	P0250CFDMN01SE	P0250CFDMN01SO
28141294002	12"	300	460	410	25	12-28	698	503	317.0	P0300CFDMN01SE	P0300CFDMN01SO
28141295002	14"	350	520	470	27	16-28	787	580	427.0	P0350CFDMN01SE	P0350CFDMN01SO
28141296002	16"	400	580	525	28	16-31	914	639	554.0	P0400CFDMN01SE	P0400CFDMN01SO