
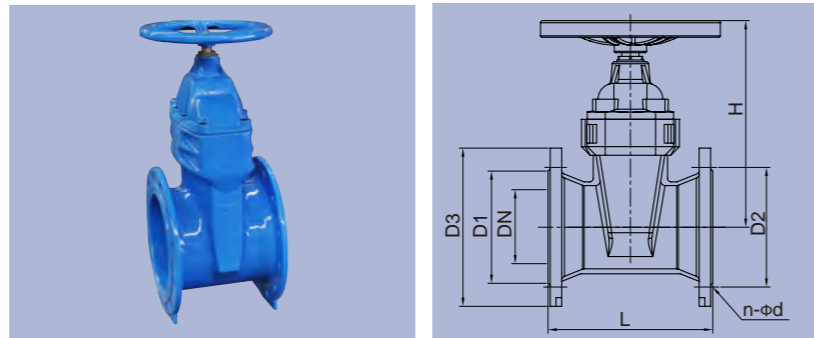


RVHX F4 Series NRS Gate Valve 
PN16 Flanged Resilient Seated DIN3202 F4 type



Features and Benefits:

- Non rising stem, save installation space.
- 3 O-ring sealing, zero leakage, safe and reliable.
- Fully vulcanized wedge, corrosion resistant.
- Wedge with plastic guide rail on two sides, reduces friction, reduces torque.
- Full bore, resilient seated, no water head lost.
- Electrostatically applied Akzo Nobel epoxy powder internally and externally.
- Handwheel operated.



DIN 3202 F4 Gate Valve - RVHX F4 unit: mm

NO	Size	DN	L	D1	D2	D3	n-φd	kg	Europe Code	Other Code
28111070017	2"	50	150	99	125	165	4-19	7.6	G0050CFD4H14DE	G0050CFD4H14DO
28111080016	2 1/2"	65	170	118	145	185	4-19	10.5	G0065CFD4H14DE	G0065CFD4H14DO
28111081020	3"	80	180	132	160	200	8-19	13	G0080CFD4H14DE	G0080CFD4H14DO
28111082024	4"	100	190	156	180	220	8-19	17.3	G0100CFD4H14DE	G0100CFD4H14DO
28111090017	5"	125	200	184	210	250	8-19	21	G0125CFD4H14DE	G0125CFD4H14DO
28111091025	6"	150	210	211	240	285	8-23	29	G0150CFD4H14DE	G0150CFD4H14DO
28111092030	8"	200	230	266	295	340	12-23	45.5	G0200CFD4H14DE	G0200CFD4H14DO
28111093030	10"	250	250	319	355	405	12-28	75.4	G0250CFD4H14DE	G0250CFD4H14DO
28111094026	12"	300	270	370	410	460	12-28	106	G0300CFD4H14DE	G0300CFD4H14DO

Applicable Standards:

Flanges and drilling to BS EN 1092-2.
Valves comply with DIN 3352-4
Face to face to DIN 3202 F4
Pressure test with BS EN12266-2003

Technical Data:

Size: DN50~DN300(2" ~ 12")
Nominal pressure: PN 16
Temperature range: 0~80°C
Suitable for: Water and neutral liquids

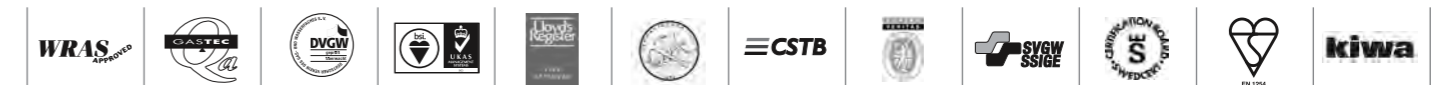
Materials Specifications

No.	Component	Material
1	Body	Ductile Iron, JS1040
2	Bonnet	Ductile Iron, JS1040
3	Disc	DI with EPDM Vulcanized
4	Stem	Stainless Steel SS420
5	O- ring	Rubber, EPDM
6	Thrust Collar	Brass, 2874 CZ 124

Torques (Testing at 1.1PN Pressure) unit: N.m

Nominal Diameter DN	Nominal Pressure PN1.6MPa	
	Standard Torque	Testing Torque
50	50	40
65	60	50
80	75	60
100	100	80
125	125	100
150	150	120
200	200	160
250	250	200
300	300	240
350	325	260
400	350	280
450	155	125
500	170	135
600	235	185

Note: The product testing torque is smaller than the standard requirement, easier to operated.



*Conex|Bänninger products are approved by numerous Standards Authorities and Certification Bodies. For more details on this product range, please email our technical team at: technical@ibpgroup.com.

Conex Universal Limited: Global House, 95 Vantage Point, The Pensnett Estate, Kingswinford, West Midlands DY6 7FT, UNITED KINGDOM.
Tel: +44 (0)121 557 2831 | Fax: +44 (0)121 520 8778 | Email: salesuk@ibpgroup.co.uk | Website: www.ibpgroup.com