

Conex | Bänninger

# Series 8000 M

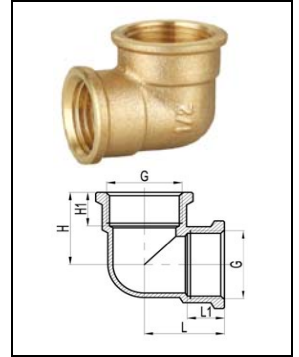
CATÁLOGO  
TÉCNICO



**Codo 90° HH**

**8090 M**

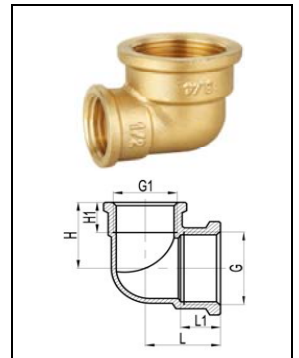
Código	Medida	G	G1	G2	L	L1	L2	H	H1
8090 M03000000	3/8"	3/8"			17,5	8,5		17,5	8,5
8090 M04000000	1/2"	1/2"			22	11		22	11
8090 M06000000	3/4"	3/4"			28	13,5		28	13,5
8090 M08000000	1"	1"			32	14		32	14
8090 M10000000	1.1/4"	1.1/4"			38	16		38	16
8090 M12000000	1.1/2"	1.1/2"			40,5	16		40,5	16
8090 M16000000	2"	2"			51	20		51	20
8090 M24000000	3"	3"			77	27		77	27



**Codo 90° reducido HH**

**8090 RM**

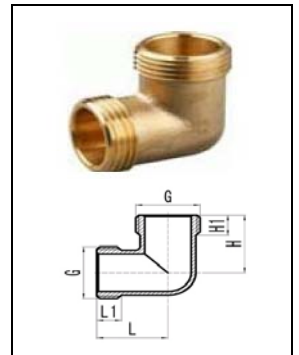
Código	Medida	G	G1	G2	L	L1	L2	H	H1
8090RM06004000	3/4" x 1/2"	3/4"	1/2"		24,5	13,5		24	11
8090RM08006000	1" X 3/4"	1"	3/4"		29	14		31	13



**Codo 90° MM**

**8091 M**

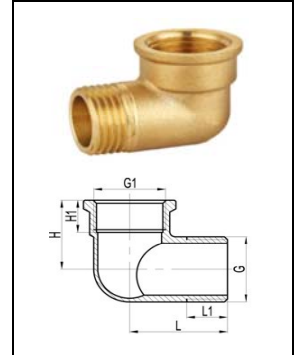
Código	Medida	G	G1	G2	L	L1	L2	H	H1
8091 M03000000	3/8"	3/8"			21	8		21	8
8091 M04000000	1/2"	1/2"			23	8		23	8
8091 M06000000	3/4"	3/4"			28,5	9		28,5	9
8091 M08000000	1"	1"			35	11		35	11



Codo 90° MH

8092 M

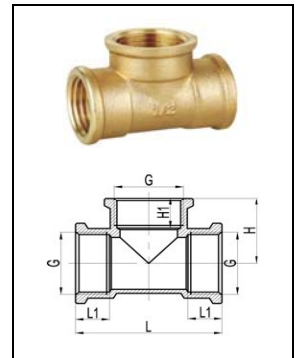
Código	Medida	G	G1	G2	L	L1	L2	H	H1
8092 M03000000	3/8"	3/8"	3/8"		24,5	9		17	8,5
8092 M04000000	1/2"	1/2"	1/2"		29	10,5		22	11
8092 M06000000	3/4"	3/4"	3/4"		33,5	12,5		28	13
8092 M08000000	1"	1"	1"		38	13		32	14
8092 M10000000	1.1/4"	1.1/4"	1.1/4"		45	15		37	15
8092 M12000000	1.1/2"	1.1/2"	1.1/2"		48	16		40	16
8092 M16000000	2"	2"	2"		62	19		52	20
8092 M20000000	2.1/2"	2.1/2"	2.1/2"		77	24		67	25,5



Te igual HHH

8130 M

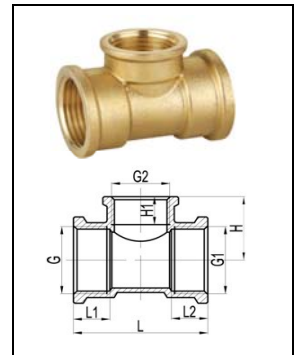
Código	Medida	G	G1	G2	L	L1	L2	H	H1
8130 M03003003	3/8"	3/8"			35	8,5		17,5	8,5
8130 M04004004	1/2"	1/2"			44	11		22	11
8130 M06006006	3/4"	3/4"			56	13,5		28	13,5
8130 M08008008	1"	1"			64	14		32	14
8130 M10010010	1.1/4"	1.1/4"			76	16		38	16
8130 M12012012	1.1/2"	1.1/2"			81	16		40,5	16
8130 M16016016	2"	2"			102	20		51	20
8130 M24024024	3"	3"			134	25,5		67	25,5



Te reducida HHH

8130RM

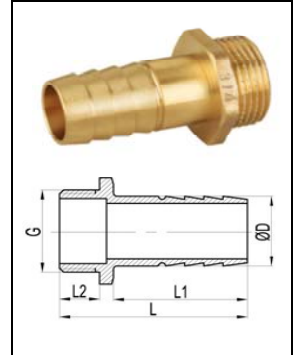
Código	Medida	G	G1	G2	L	L1	L2	H	H1
8130RM06004006	3/4"x1/2"x3/4"	3/4"	3/4"	1/2"	48	13	13	25	11
8130RM08004008	1"x1/2"x1"	1"	1"	1/2"	52	14	14	27,5	11
8130RM08006008	1"x3/4"x1"	1"	1"	3/4"	57	14	14	30	13,5



Entronque Manguera M

81004 M

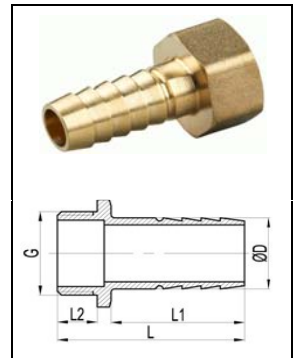
Código	Medida	D	G	G2	L	L1	L2	H	H1
81004M03010000	3/8" x 10	10	3/8"						
81004M04010000	1/2" x 10	10	1/2"						
81004M04012000	1/2" x 12	12	1/2"						
81004M04014000	1/2" x 14	14	1/2"		47	32	10,5		
81004M04016000	1/2" x 16	16	1/2"						
81004M04018000	1/2" x 18	18	1/2"						
81004M04020000	1/2" x 20	20	1/2"						
81004M06020000	3/4" x 20	20	3/4"		54	38,5	11,5		
81004M06025000	3/4" x 25	25	3/4"						
81004M08025000	1" x 25	25	1"		56	39	12		
81004M08030000	1" x 30	30	1"		56	39	12		



Entronque Manguera H

81005M

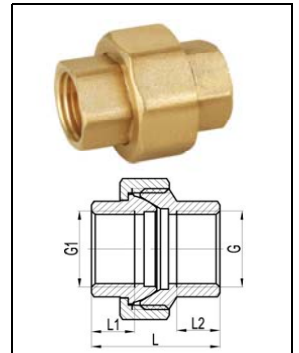
Código	Medida	D	G	G2	L	L1	L2	H	H1
81005M04010000	1/2" x 10	10	1/2"		40	27	11		
81005M04012000	1/2" x 12	12	1/2"		40	27	11		
81005M04014000	1/2" x 14	14	1/2"		45	32	11		
81005M04016000	1/2" x 16	16	1/2"		47	34	11		
81005M04018000	1/2" x 18	18	1/2"		47	34	11		
81005M04020000	1/2" x 20	20	1/2"		51,5	38,5	11		
81005M06020000	3/4" x 20	20	3/4"		54	38,5	13		
81005M08025000	1" x 25	25	1"		56	38,5	14		
81005M08030000	1" x 30	30	1"		56	38,5	14		



Unión 3 piezas junta cónica HH

8125 M

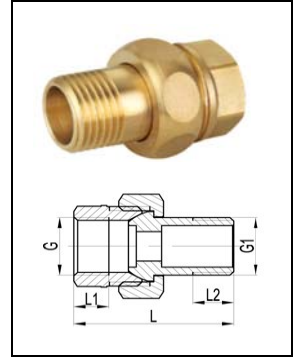
Código	Medida	G	G1	G2	L	L1	L2	H	H1
8125 M04000000	1/2"	1/2"	1/2"		34,5	13,5	12		
8125 M06000000	3/4"	3/4"	3/4"		40	14,5	15		
8125 M08000000	1"	1"	1"		45	19	18		



Unión 3 piezas junta tórica MH

8126GM

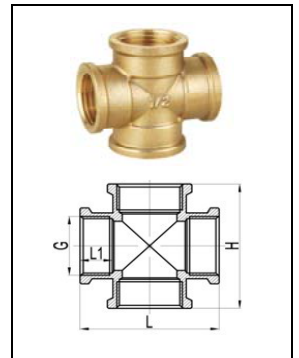
Código	Medida	G	G1	G2	L	L1	L2	H	H1
8126GM04000000	1/2"	1/2"	1/2"		45	10,5	11,5		
8126GM06000000	3/4"	3/4"	3/4"		50,5	12	13,5		
8126GM08000000	1"	1"	1"		58	16	16		
8126GM10000000	1.1/4"	1.1/4"	1.1/4"		66	19	16		
8126GM12000000	1.1/2"	1.1/2"	1.1/2"						
8126GM16000000	2"	2"	2"						



Cruz 90º HHHH

8180 M

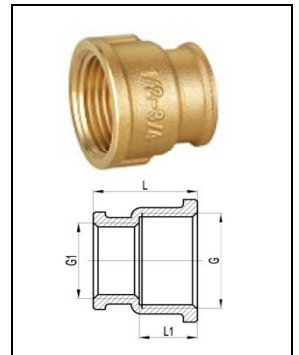
Código	Medida	G	G1	G2	L	L1	L2	H	H1
8180 M04000000	1/2"	1/2"			44	11		44	
8180 M06000000	3/4"	3/4"			56	13,5		56	
8180 M08000000	1"	1"			64	15		64	
8180 M10000000	1.1/4"	1.1/4"			76	16		76	



Manguito Reducción HH

8240 M

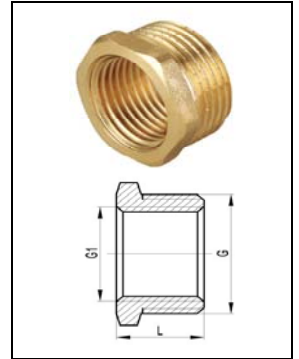
Código	Medida	G	G1	G2	L	L1	L2	H	H1
8240 M04003000	1/2" x 3/8"	1/2"	3/8"		21,5	13			
8240 M06004000	3/4" x 1/2"	3/4"	1/2"		26	14,5			
8240 M08004000	1" x 1/2"	1"	1/2"		28	16			
8240 M08006000	1" x 3/4"	1"	3/4"		29	16			
8240 M10004000	1.1/4" x 1/2"	1.1/4"	1/2"						
8240 M10006000	1.1/4" x 3/4"	1.1/4"	3/4"						
8240 M10008000	1.1/4" x 1"	1.1/4"	1"		33	18,5			
8240 M12008000	1.1/2" x 1"	1.1/2"	1"		33	19,5			
8240 M12010000	1.1/2" x 1.1/4"	1.1/2"	1.1/4"		35	19,5			
8240 M16008000	2" x 1"	2"	1"		37	23			



Reducción Hexagonal MH

8241 M

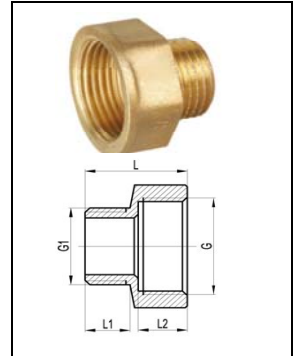
Código	Medida	G	G1	G2	L	L1	L2	H	H1
8241 M03001000	3/8" x 1/8"	3/8"	1/8"		13				
8241 M03002000	3/8" x 1/4"	3/8"	1/4"		13				
8241 M04001000	1/2" x 1/8"	1/2"	1/8"		14,5				
8241 M04002000	1/2" x 1/4"	1/2"	1/4"		14,5				
8241 M04003000	1/2" x 3/8"	1/2"	3/8"		14,5				
8241 M06003000	3/4" x 3/8"	3/4"	3/8"		16				
8241 M06004000	3/4" x 1/2"	3/4"	1/2"		16				
8241 M08004000	1" x 1/2"	1"	1/2"		17,5				
8241 M08006000	1" x 3/4"	1"	3/4"		17,5				
8241 M10004000	1.1/4" x 1/2"	1.1/4"	1/2"		19,5				
8241 M10006000	1.1/4" x 3/4"	1.1/4"	3/4"		19,5				
8241 M10008000	1.1/4" x 1"	1.1/4"	1"		19,5				
8241 M12004000	1.1/2" x 1/2"	1.1/2"	1/2"		20,5				
8241 M12006000	1.1/2" x 3/4"	1.1/2"	3/4"		20,5				
8241 M12008000	1.1/2" x 1"	1.1/2"	1"		20,5				
8241 M12010000	1.1/2" x 1.1/4"	1.1/2"	1.1/4"		20,5				
8241 M16004000	2" x 1/2"	2"	1/2"		25,5				
8241 M16006000	2" x 3/4"	2"	3/4"		25,5				
8241M 16008000	2" x 1"	2"	1"		25,5				
8241 M16010000	2" x 1.14"	2"	1.1/4"		25,5				
8241 M16012000	2" x 1.1/2"	2"	1.1/2"		25,5				



Racor Marsella Reducido HM

8243 M

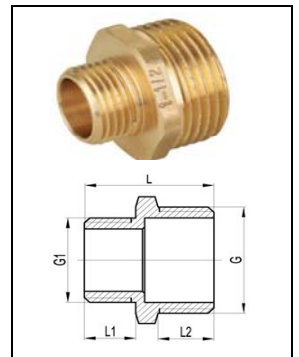
Código	Medida	G	G1	G2	L	L1	L2	H	H1
8243 M04003000	1/2" x 3/8"	1/2"	3/8"		21,5	8,5	11		
8243 M06004000	3/4" x 1/2"	3/4"	1/2"		25	11	12		
8243 M08004000	1" x 1/2"	1"	1/2"		28	11	13,5		
8243 M08006000	1" x 3/4"	1"	3/4"		29	12	14,5		
8243 M10004000	1.1/4" x 1/2"	1.1/4"	1/2"						
8243 M10006000	1.1/4" x 3/4"	1.1/4"	3/4"						
8243 M10008000	1.1/4" x 1"	1.1/4"	1"		32	13	16		



Machón reducido MM

8245 M

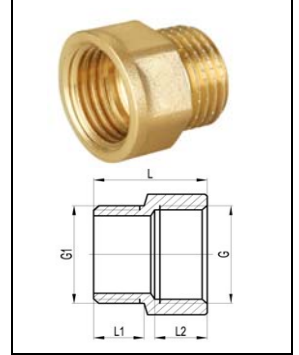
Código	Medida	G	G1	G2	L	L1	L2	H	H1
8245 M03002000	3/8" x 1/4"	3/8"	1/4"		21	7,5	9		
8245 M04002000	1/2" x 1/4"	1/2"	1/4"		23	7,5	11		
8245 M04003000	1/2" x 3/8"	1/2"	3/8"		24,5	9	10		
8245 M06004000	3/4" x 1/2"	3/4"	1/2"		29	11,5	12,5		
8245 M08004000	1" x 1/2"	1"	1/2"		30	11,5	14		
8245 M08006000	1" x 3/4"	1"	3/4"		31	12	14		
8245 M10004000	1.1/4" x 1/2"	1.1/4"	1/2"						
8245 M10006000	1.1/4" x 3/4"	1.1/4"	3/4"		34,5	13	16		
8245 M10008000	1.1/4" x 1"	1.1/4"	1"		35	13,5	16		
8245 M12006000	1.1/2" x 3/4"	1.1/2"	3/4"						
8245 M12008000	1.1/2" x 1"	1.1/2"	1"		35	13	16,5		
8245 M12010000	1.1/2" x 1.1/4"	1.1/2"	1.1/4"		38	16	16,5		
8245 M16008000	2" x 1"	2"	1"		40	14	20		
8245 M16010000	2" x 1.1/4"	2"	1.1/4"		42	16	20		
8245 M16012000	2" x 1.1/2"	2"	1.1/2"		42,5	16,5	20		



Racor Marsella HM

8246EM

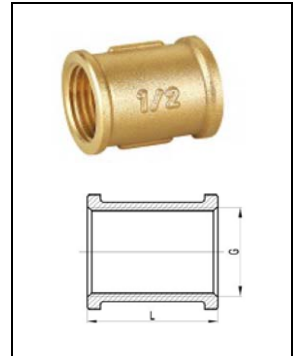
Código	Medida	G	G1	G2	L	L1	L2	H	H1
8246EM03000000	3/8"	3/8"	3/8"		18	8,5	9		
8246EM04000000	1/2"	1/2"	1/2"		22,5	10,5	11		
8246EM06000000	3/4"	3/4"	3/4"		26,5	12	12,5		
8246EM08000000	1"	1"	1"		30,5	13	15		



Manguito HH

8270 M

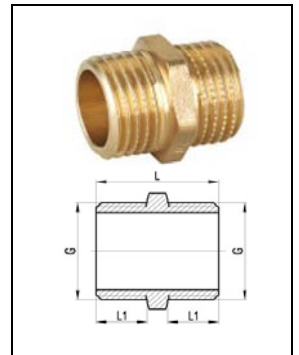
Código	Medida	G	G1	G2	L	L1	L2	H	H1
8270 M03000000	3/8"	3/8"			25				
8270 M04000000	1/2"	1/2"			30				
8270 M06000000	3/4"	3/4"			34				
8270 M08000000	1"	1"			36				
8270 M10000000	1.1/4"	1.1/4"			43				
8270 M12000000	1.1/2"	1.1/2"			53				
8270 M16000000	2"	2"			65				
8270 M24000000	3"	3"			70				



Enlace Contrarrosca MM

8280 M

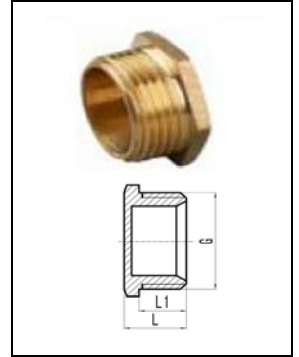
Código	Medida	G	G1	G2	L	L1	L2	H	H1
8280 M02000000	1/4"	1/4"			21	8,5			
8280 M03000000	3/8"	3/8"			22,5	9			
8280 M04000000	1/2"	1/2"			25,5	10,5			
8280 M06000000	3/4"	3/4"			29	12			
8280 M08000000	1"	1"			31,5	13			
8280 M10000000	1.1/4"	1.1/4"			35,5	15			
8280 M12000000	1.1/2"	1.1/2"			39	16,5			
8280 M16000000	2"	2"			45	19			
8280 M24000000	3"	3"			63	27			
8280 M32000000	4"	4"			81	35			



Tapón M

8292 M

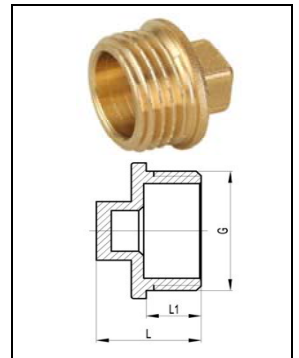
Código	Medida	G	G1	G2	L	L1	L2	H	H1
8292 M03000000	3/8"	3/8"			12	9			
8292 M04000000	1/2"	1/2"			13,5	10,5			
8292 M06000000	3/4"	3/4"			15	11			
8292 M08000000	1"	1"			17	12,5			
8292 M10000000	1.1/4"	1.1/4"			19	13,5			
8292 M12000000	1.1/2"	1.1/2"			21,5	15			
8292 M16000000	2"	2"			24	17			



Tapón M con cuadradillo

8595

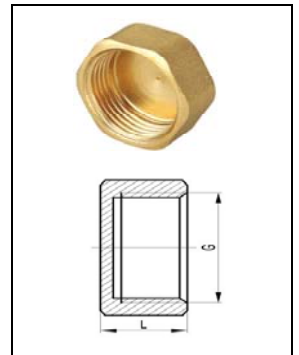
Código	Medida	G	G1	G2	L	L1	L2	H	H1
8595 003000000	3/8"	3/8"			14	7			
8595 004000000	1/2"	1/2"			18	9			
8595 006000000	3/4"	3/4"			20	11			
8595 008000000	1"	1"			21,5	11,5			
8595 010000000	1.1/4"	1.1/4"			25,5	12,5			
8595 012000000	1.1/2"	1.1/2"			28,5	13			
8595 016000000	2"	2"			34,5	17			



Tapón H

8300 M

Código	Medida	G	G1	G2	L	L1	L2	H	H1
8300 M03000000	3/8"	3/8"			10,5				
8300 M04000000	1/2"	1/2"			12				
8300 M06000000	3/4"	3/4"			13,5				
8300 M08000000	1"	1"			15				
8300 M10000000	1.1/4"	1.1/4"			15				
8300 M12000000	1.1/2"	1.1/2"			16				
8300 M16000000	2"	2"			19				

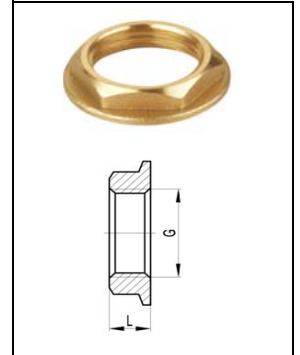




**Contratuercas**

**8310 M**

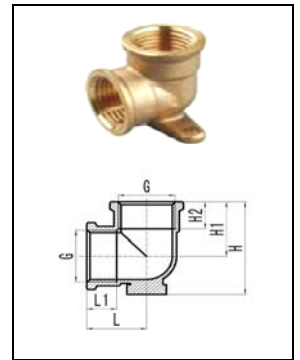
Código	Medida	G	G1	G2	L	L1	L2	H	H1
8310 M06000000	3/4"	3/4"			6,5				
8310 M08000000	1"	1"			7,5				
8310 M10000000	1.1/4"	1.1/4"			10,5				
8310 M12000000	1.1/2"	1.1/2"			10,5				
8310 M16000000	2"	2"			10,5				



**Codo Placa HH**

**8471 M**

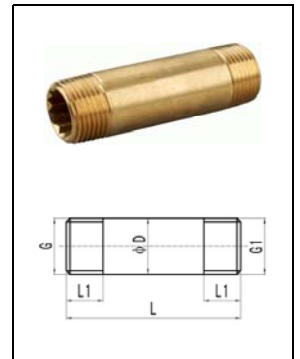
Código	Medida	G	G1	G2	L	L1	L2	H	H1
8471 M04000000	1/2"	1/2"			22	11	37,5	22	11



**Alargadera MM**

**8530 M**

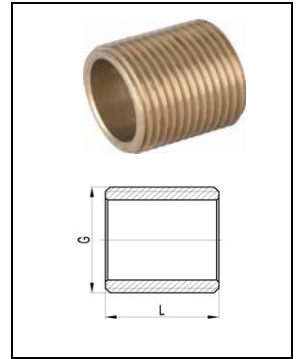
Código	Medida	D	G	G1	L	L1	L2	H	H1
8530 M04050000	1/2" x 50	21,5	R1/2"	R1/2"	50	15			
8530 M04060000	1/2" x 60	21,5	R1/2"	R1/2"	60	15			
8530 M04070000	1/2" x 70	21,5	R1/2"	R1/2"	70	15			
8530 M04080000	1/2" x 80	21,5	R1/2"	R1/2"	80	15			
8530 M04100000	1/2" x 100	21,5	R1/2"	R1/2"	100	15			
8530 M04150000	1/2" x 150	21,5	R1/2"	R1/2"	150	15			
8530 M04200000	1/2" x 200	21,5	R1/2"	R1/2"	200	15			
8530 M04250000	1/2" x 250	21,5	R1/2"	R1/2"	250	15			
8530 M06050000	3/4" x 50	27	R3/4"	R3/4"	50	16,5			
8530 M06070000	3/4" x 70	27	R3/4"	R3/4"	70	16,5			
8530 M06080000	3/4" x 80	27	R3/4"	R3/4"	80	16,5			
8530 M06150000	3/4" x 150	27	R3/4"	R3/4"	150	16,5			
8530 M06175000	3/4" x 175	27	R3/4"	R3/4"	175	16,5			
8530 M06250000	3/4" x 250	27	R3/4"	R3/4"	250	16,5			
8530 M08050000	1" x 50	34	R1"	R1"	50	19			
8530 M08060000	1" x 60	34	R1"	R1"	60	19			
8530 M08070000	1" x 70	34	R1"	R1"	70	19			
8530 M08080000	1" x 80	34	R1"	R1"	80	19			
8530 M08100000	1" x 100	34	R1"	R1"	100	19			
8530 M08150000	1" x 150	34	R1"	R1"	150	19			
8530 M08200000	1" x 200	34	R1"	R1"	200	19			
8530 M08250000	1" x 250	34	R1"	R1"	250	19			



Contratuercas

8531 M

Código	Medida	G	G1	G2	L	L1	L2	H	H1
8531 M01000000	1/8"	1/8"			15				
8531 M02000000	1/4"	1/4"			18				
8531 M03000000	3/8"	3/8"			21				
8531 M04000000	1/2"	1/2"			25,5				
8531 M06000000	3/4"	3/4"			25,5				
8531 M08000000	1"	1"			30				



Tubo latón con rosca cilíndrica MM

8532 M

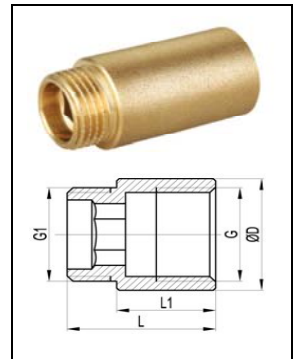
Código	Medida	G	G1	G2	L	L1	L2	H	H1
8532 M04100000	1/2" x 100								
8532 M04150000	1/2" x 150								
8532 M04200000	1/2" x 200								
8532 M06150000	3/4" x 150								
8532 M06200000	3/4" x 200								
8532 M08150000	1" x 150								
8532 M08200000	1" x 200								



Prolongador MH

8540 M

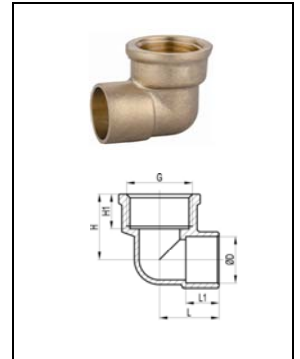
Código	Medida	ØD	G	G1	L	L1	L2	H	H1
8540 M03015000	3/8" x 15								
8540 M04010000	1/2" x 10	25	1/2"	1/2"	20	10			
8540 M04015000	1/2" x 15	25	1/2"	1/2"	25	15			
8540 M04020000	1/2" x 20	25	1/2"	1/2"	30	20			
8540 M04025000	1/2" x 25	25	1/2"	1/2"	35	25			
8540 M04030000	1/2" x 30	25	1/2"	1/2"	40	30			
8540 M04040000	1/2" x 40	25	1/2"	1/2"	50	40			
8540 M04050000	1/2" x 50	25	1/2"	1/2"	60	50			
8540 M04060000	1/2" x 60	25	1/2"	1/2"	70	60			
8540 M04070000	1/2" x 70	25	1/2"	1/2"	80	70			
8540 M04080000	1/2" x 80	25	1/2"	1/2"	90	80			
8540 M06010000	3/4" x 10	30,5	3/4"	3/4"	22	10			
8540 M06015000	3/4" x 15	30,5	3/4"	3/4"	27	15			
8540 M06020000	3/4" x 20	30,5	3/4"	3/4"	32	20			
8540 M06030000	3/4" x 30	30,5	3/4"	3/4"	42	30			
8540 M06040000	3/4" x 40	30,5	3/4"	3/4"	52	40			
8540 M06050000	3/4" x 50	30,5	3/4"	3/4"	62	50			
8540 M06070000	3/4" x 70	30,5	3/4"	3/4"	82	70			
8540 M06080000	3/4" x 80	30,5	3/4"	3/4"	92	80			
8540 M08010000	1" x 10								
8540 M08020000	1" x 20								
8540 M08030000	1" x 30								
8540 M08040000	1" x 40								
8540 M08050000	1" x 50								



**Codo 90° HH**

**8090 GM**

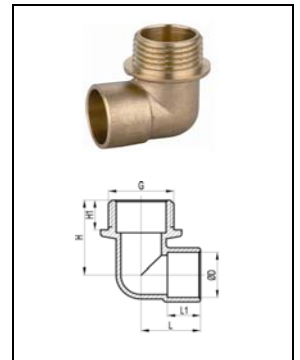
Código	Medida	D	G	G1	L	L1	L2	H	H1
8090GM12003000	12 - 3/8"	12	3/8"		16,5	8,6		16	8,5
8090GM12004000	12 - 1/2"	12	1/2"		17	8,6		19,5	11,5
8090GM14003000	14 - 3/8"	14	3/8"		17,5	10,6		17	8,5
8090GM14004000	14 - 1/2"	14	1/2"		17,5	10,6		20,5	11,5
8090GM15004000	15 - 1/2"	15	1/2"		19	10,6		21	11
8090GM15006000	15 - 3/4"	15	3/4"		22,5	10,6		24	13,5
8090GM16004000	16 - 1/2"	16	1/2"		18	10,6		21	11
8090GM16006000	16 - 3/4"	16	3/4"		20	10,6		23	13,5
8090GM18004000	18 - 1/2"	18	1/2"		22	12,6		22,5	11
8090GM18006000	18 - 3/4"	18	3/4"		23	12,6		25	13,5
8090GM22006000	22 - 3/4"	22	3/4"		26,5	15,4		26,5	13,5
8090GM22008000	22 - 1"	22	1"		28	15,4		28	14
8090GM28008000	28 - 1"	28	1"		32	18,4		31	15
8090GM28010000	28 - 1.1/4"	28	1.1/4"		33	18,4		33	16
8090GM35010000	35 - 1.1/4"	35	1.1/4"		37	23		41	19



**Codo 90° HM**

**8092GM**

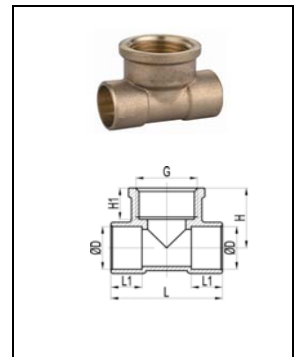
Código	Medida	D	G	G1	L	L1	L2	H	H1
8092GM12003000	12 - 3/8"	12	3/8"		15	8,6		20	9
8092GM12004000	12 - 1/2"	12	1/2"		17	8,6		22,5	10
8092GM14003000	14 - 3/8"	14	3/8"		17,5	10,6		21	9
8092GM14004000	14 - 1/2"	14	1/2"		19	10,6		24	10
8092GM15003000	15 - 3/8"	15	3/8"		17,5	10,6		21	9
8092GM15004000	15 - 1/2"	15	1/2"		19	10,6		25	11
8092GM16004000	16 - 1/2"	16	1/2"		19	10,6		24	10
8092GM16006000	16 - 3/4"	16	3/4"		21	10,6		24,5	11
8092GM18004000	18 - 1/2"	18	1/2"		22	12,6		26,5	11
8092GM18006000	18 - 3/4"	18	3/4"		27	12,6		27	11
8092GM22004000	22 - 1/2"	22	1/2"		25	15,4		28,5	11
8092GM22006000	22 - 3/4"	22	3/4"		27	15,4		31	12
8092GM28008000	28 - 1"	28	1"		30,5	18,4		34	13



**Te HHH**

**8130GM**

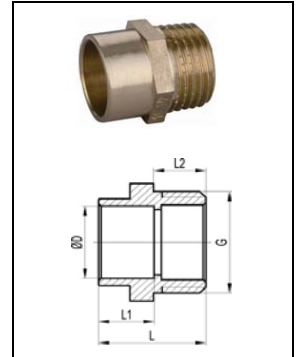
Código	Medida	D	G	G1	L	L1	L2	H	H1
8130GM12004012	12 - 1/2" - 12	12	1/2"		34	8,6		19,5	11
8130GM14004014	14 - 1/2" - 14	14	1/2"		35	10,6		21	11
8130GM15003015	15 - 3/8" - 15	15	3/8"		33	10,6		17,5	8,5
8130GM15004015	15 - 1/2" - 15	15	1/2"		41,5	10,6		21	11
8130GM16004016	16 - 1/2" - 16	16	1/2"		36	10,6		21,5	11
8130GM18004018	18 - 1/2" - 18	18	1/2"		44	12,6		22,5	11
8130GM18006018	18 - 3/4" - 18	18	3/4"		46	12,6		23,5	12
8130GM22004022	22 - 1/2" - 22	22	1/2"		53	15,4		23,5	11
8130GM22006022	22 - 3/4" - 22	22	3/4"		56	15,4		29	13,5
8130GM28006028	28 - 3/4" - 28	28	3/4"		64	18,4		29,5	13,5
8130GM28008028	28 - 1" - 28	28	1"		64	18,4		30	14



**Adaptador HM**

**8243GM**

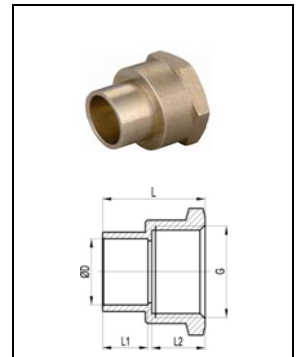
Código	Medida	D	G	G1	L	L1	L2	H	H1
8243GM10002000	10 - 1/4"	10	1/4"		18	7,8	8,5		
8243GM10003000	10 - 3/8"	10	3/8"		18,5	7,8	9		
8243GM12003000	12 - 3/8"	12	3/8"		19	8,6	9		
8243GM12004000	12 - 1/2"	12	1/2"		20	8,6	10		
8243GM14003000	14 - 3/8"	14	3/8"		21	10,6	9		
8243GM14004000	14 - 1/2"	14	1/2"		20	10,6	10		
8243GM15003000	15 - 3/8"	15	3/8"		21	10,6	9		
8243GM15004000	15 - 1/2"	15	1/2"		21	10,6	11		
8243GM15006000	15 - 3/4"	15	3/4"		22	10,6	12		
8243GM16003000	16 - 3/8"	16	3/8"		22	10,6	9		
8243GM16004000	16 - 1/2"	16	1/2"		19,5	10,6	9,5		
8243GM16006000	16 - 3/4"	16	3/4"		21,5	10,6	11		
8243GM18004000	18 - 1/2"	18	1/2"		22	12,6	11		
8243GM18006000	18 - 3/4"	18	3/4"		26	12,6	12		
8243GM22004000	22 - 1/2"	22	1/2"		27	15,4	10		
8243GM22006000	22 - 3/4"	22	3/4"		25,5	15,4	12		
8243GM22008000	22 - 1"	22	1"		27,5	15,4	13		
8243GM28006000	28 - 3/4"	28	3/4"		29	18,4	12		
8243GM28008000	28 - 1"	28	1"		28,5	18,4	13		
8243GM28010000	28 - 1.1/4"	28	1.1/4"		34	18,4	14,5		
8243GM35008000	35 - 1"	35	1"		38	23	13		
8243GM35010000	35 - 1.1/4"	35	1.1/4"		33	23	14,5		
8243GM35012000	35 - 1.1/2"	35	1.1/2"		43	23	16,5		
8243GM42010000	42 - 1.1/4"	42	1.1/4"		44,5	27	14,5		
8243GM42012000	42 - 1.1/2"	42	1.1/2"		43,5	27	16,5		
8243GM54016000	54 - 2"	54	2"		50,5	32	18		
8243GM64020000	64 - 2.1/2"	64	2.1/2"		54	32,5	20		



**Adaptador HH**

**8270GM**

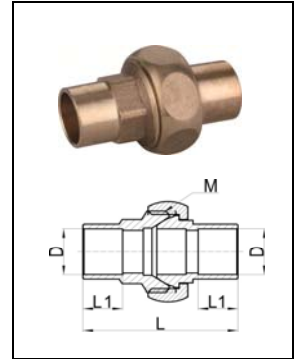
Código	Medida	D	G	G1	L	L1	L2	H	H1
8270GM10002000	10 - 1/4"	10	1/4"		18,5	7,8	9		
8270GM10003000	10 - 3/8"	10	3/8"		18,5	7,8	9		
8270GM10004000	10 - 1/2"	10	1/2"		20,5	7,8	11		
8270GM12003000	12 - 3/8"	12	3/8"		19	8,6	9		
8270GM12004000	12 - 1/2"	12	1/2"		21	8,6	11		
8270GM14003000	14 - 3/8"	14	3/8"		21	10,6	9		
8270GM14004000	14 - 1/2"	14	1/2"		23	10,6	11,5		
8270GM14006000	14 - 3/4"	14	3/4"		24,5	10,6	13		
8270GM15003000	15 - 3/8"	15	3/8"		21	10,6	9		
8270GM15004000	15 - 1/2"	15	1/2"		23	10,6	11		
8270GM15006000	15 - 3/4"	15	3/4"		25,5	10,6	13,5		
8270GM16004000	16 - 1/2"	16	1/2"		23	10,6	11,5		
8270GM16006000	16 - 3/4"	16	3/4"		24,5	10,6	13		
8270GM18004000	18 - 1/2"	18	1/2"		25	12,6	11		
8270GM18006000	18 - 3/4"	18	3/4"		27,5	12,6	13,5		
8270GM22004000	22 - 1/2"	22	1/2"		28	15,4	11		
8270GM22006000	22 - 3/4"	22	3/4"		30,5	15,4	13,5		
8270GM22008000	22 - 1"	22	1"		32,5	15,4	15		
8270GM28006000	28 - 3/4"	28	3/4"		33,5	18,4	13,5		
8270GM28008000	28 - 1"	28	1"		35,5	18,4	15		
8270GM28010000	28 - 1.1/4"	28	1.1/4"		37	18,4	16		
8270GM35010000	35 - 1.1/4"	35	1.1/4"		43,5	23	19		
8270GM42012000	42 - 1.1/2"	42	1.1/2"		49,5	27	21		
8270GM54016000	54 - 2"	54	2"		57,5	32	24		



Unión 3 piezas con asiento cónico HH soldar

8340 M

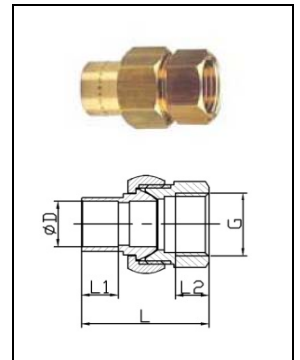
Código	Medida	D	G	G1	L	L1	M
8340 M018000000	18 - 18	18			53	12,6	G1"
8340 M022000000	22 - 22	22			93	15,5	G1.1/4"
8340 M028000000	28 - 28	28			64,5	18,4	G1.1/4"



Unión 3 piezas con asiento cónico HH (H roscar)

8340GM

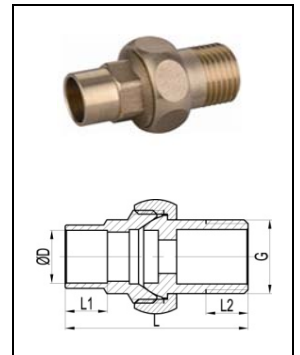
Código	Medida	D	G	G1	L	L1	L2	H	H1
8340GM12003000	12 - 3/8"	12	3/8"		30	11	9		
8340GM15004000	15 - 1/2"	15	1/2"		40	11,5	10,5		
8340GM15006000	15 - 3/4"	15	3/4"		41	11,5	14		
8340GM18006000	18 - 3/4"	18	3/4"		46	12,6	14		
8340GM22006000	22 - 3/4"	22	3/4"		46	15,5	14		
8340GM22008000	22 - 1"	22	1"		51	15,5	16		
8340GM28008000	28 - 1"	28	1"		53	18,5	16		
8340GM35010000	35 - 1.1/4"	35	1.1/4"		63	23	19		
8340GM42012000	42 - 1.1/2"	42	1.1/2"		61	27	19		



Unión 3 piezas con asiento cónico HM

8341GM

Código	Medida	D	G	G1	L	L1	L2	H	H1
8341GM15004000	15 - 1/2"	15	1/2"		50	11,5	11,5		
8341GM15006000	15 - 3/4"	15	3/4"		56	11,5	13,5		
8341GM18004000	18 - 1/2"	18	1/2"		52	12,6	11,5		
8341GM18006000	18 - 3/4"	18	3/4"		57,5	12,6	13,5		
8341GM22006000	22 - 3/4"	22	3/4"		63	15,5	13,5		
8341GM22008000	22 - 1"	22	1"		68,5	15,5	16		
8341GM28008000	28 - 1"	28	1"		69,5	18,4	16		
8341GM35010000	35 - 1.1/4"	35	1.1/4"		84	23	16		
8341GM42012000	42 - 1.1/2"	42	1.1/2"		86	27	19		
8341GM54016000	54 - 2"	54	2"		110	32	20		



Codo placa HH

8471GM

Código	Medida	D	G	G1	L	L1	H	H1	H2
8471GM15004000	15 - 1/2"	15	1/2"		19	10,6	30,5	21	11
8471GM18004000	18 - 1/2"	18	1/2"		22	12,6	34,5	22,5	11
8471GM22006000	22 - 3/4"	22	3/4"		26,5	15,4	40	26,5	13,5

